

Vivenis

Single lever bath mixer for exposed installation

Surfaces: **Chrome** Article Number: **75420000**



Description

product features

- 2 functions
- projection: 216 mm
- centre distance: 150 ± 12 mm
- spray type mixer: WaterfallStream
- maximum flow rate at 3 bar: 19,4 l/min
- flow rate for bath spout at 3 bar: 19,4 l/min
- ceramic cartridge
- temperature limitation adjustable
- pressure diverter Select with automatic resetting
- protected against backflow, according to DIN EN 1717
- with silencer
- suitable for continuous flow water heaters
- connection dimension: DN15
- connection type: s-shaped connections
- min. operating pressure: 1 bar
- max. operating pressure: 10 bar

Technology



Design awards



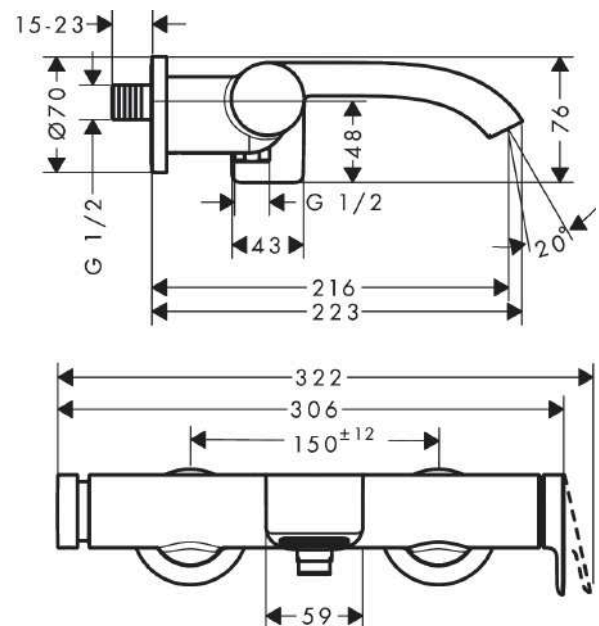
Certificates



Product image



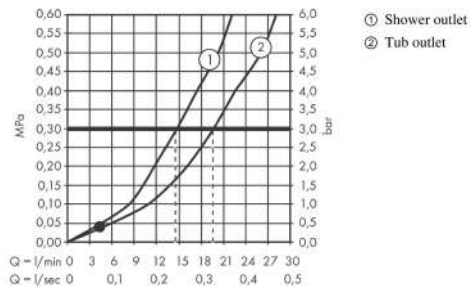
Scale drawing



Vivenis
Single lever bath mixer for exposed installation
 Surfaces: **Chrome** Article Number: **75420000**



Flowchart

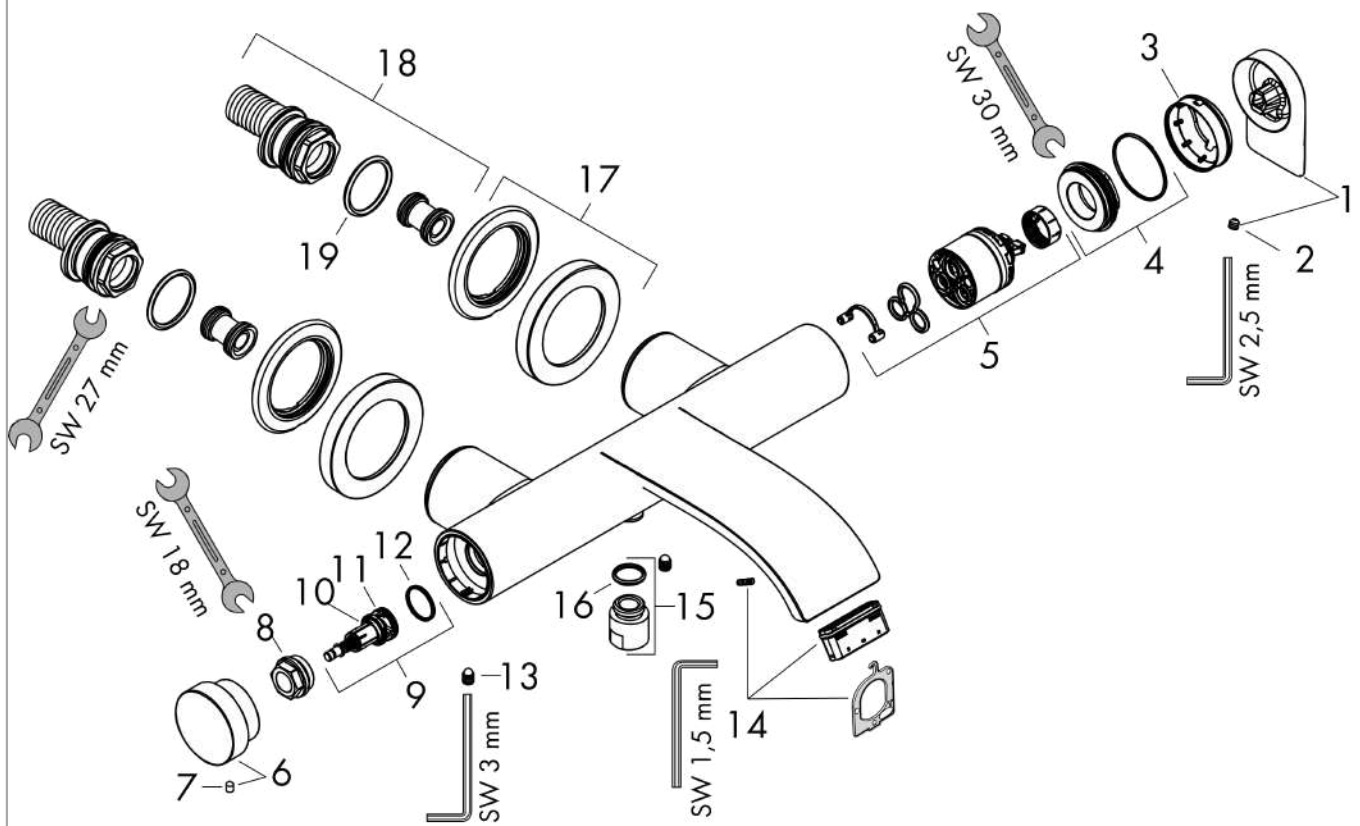


Vivenis
Single lever bath mixer for exposed installation
 Surfaces: **Chrome** Article Number: **75420000**



Exploded Drawing

Year of production: >06/21



Vivenis**Single lever bath mixer for exposed installation**Surfaces: **Chrome** Article Number: **75420000****Spare part list**

Year of production: >06/21

Pos.	Description	Article Number	Price	PU
1	handle	94375000	€ 28,20	1
2	hollow set screw M5x5	98446000	€ 3,21	1
3	flange	94370000	€ 35,94	1
4	nut	93995000	€ 22,37	1
5	cartridge, assy	93895000	€ 70,57	1
6	pushbutton	94369000	€ 86,16	1
7	hollow set screw M4x6	97767000	€ 3,21	1
8	nut	94367000	€ 35,94	1
9	selector assy	94368000	€ 86,16	1
10	O-ring 12x1,5	98430000	€ 3,21	1
11	O-ring 15x1,5	92118000	€ 3,21	1
12	O-ring 17x1,5	98137000	€ 3,21	1
13	screw	94366000	€ 11,31	1
14	aerator cpl.	93916000	€ 35,94	1
15	connecting thread	95392000	€ 18,33	1
16	O-ring 14x2	98129000	€ 3,21	1
17	escutcheon Ø 70 mm	94365000	€ 44,63	1
18	set of S-unions	95772000	€ 86,16	1
19	O-ring 29x3	98371000	€ 5,24	1